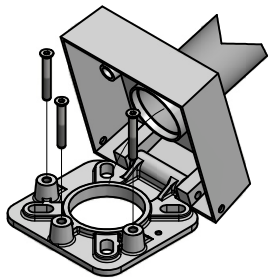
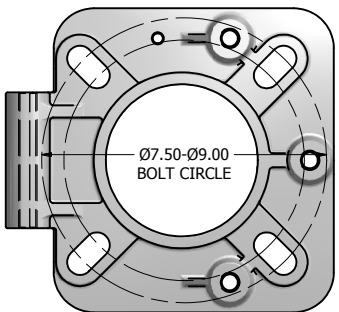


| POLE SHAFT SPECIFICATIONS | | | | |
|----------------------------------|---|-------------------|------------------|-----------------|
| 1. | SHAFTS ARE ONE SECTION DESIGN FABRICATED FROM 6063 T6 ALUMINUM EXTRUSION-SPUN TAPERED. | | | |
| 2. | BASE CASTING IS 356 T6 ALUMINUM. THE SHAFT TELESCOPES INTO THE BASE CASTING AND IS CIRCUMFERENTIALLY WELDED TOP AND BOTTOM. | | | |
| 3. | ANCHOR BOLTS ARE "L" FORMED RODS HAVING A MINIMUM YIELD STRENGTH OF 55,000 P.S.I. FABRICATED FROM ASTM F1554 GR. 55 THEN FULLY GALVANIZED PER ASTM A153 SPECIFICATIONS AND FURNISHED COMPLETE WITH 2 HEX NUTS AND 2 FLAT WASHERS. | | | |
| 4. | POLES SHALL HAVE A POLYESTER POWDER COAT FINISH IN A STANDARD COLOR. | | | |
| POLE DIMENSIONS | | | | |
| POLE HGT. (FT.) | TOP DIA. (IN.) | BOTTOM DIA. (IN.) | GAGE | MTG. HGT. (FT.) |
| 15' | 3.00 | 5.00 | .125 | 15' |
| BASE PLATE DIMENSIONS | | | | |
| BOLT CIRCLE (IN.) | BASE PLATE DIM. (IN.) | BOLT HOLE (IN.) | PLATE THK. (IN.) | |
| 7.50-9.00 | 10.75 SQ | .81 | .75 | |
| ANCHOR BOLT DIMENSIONS | | | | |
| ANCHOR BOLT DIA. (IN.) | ANCHOR BOLT LENGTH (IN.) | | | |
| .75 | 20.00 | | | |
| ALLOWABLE WIND LOADING (SQ. FT.) | | | | |
| WIND* EPA | 80 MPH | 90 MPH | 100 MPH | 120 MPH |
| | 8.6 | 6.6 | 5.0 | 3.3 |

*WITH 1.3 GUST FACTOR



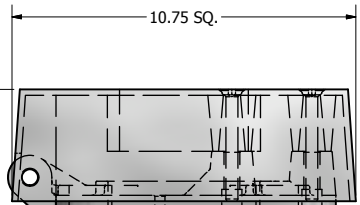
BASE ROTATION DETAIL VIEW



Ø7.50-Ø9.00
BOLT CIRCLE

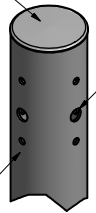
10.75 SQ.

3.50



10.75 X 10.75 X 3.50 THK. BASE CASTING

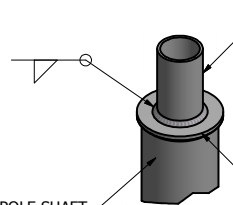
REMOVABLE CAP



POLE SHAFT

DRILLED MOUNT OPTIONS

DRILLED PER FIXTURE REQUIREMENTS:
 D1- DRILLED FOR 1 FIXTURE
 D2- DRILLED FOR 2 FIXTURES AT 90° OR 180°
 D3- DRILLED FOR 3 FIXTURES AT 90° OR 120°
 D4- DRILLED FOR 4 FIXTURES

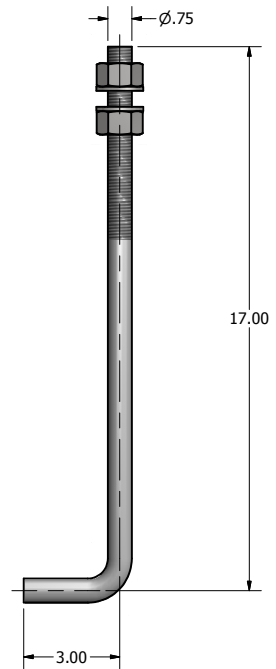


POLE SHAFT

TENON MOUNT OPTIONS

TENON MOUNT OPTIONS:
 T2- Ø2.38 OD X 4.00 LG
 T3- Ø3.00 OD X 5.00 LG
 T4- Ø4.00 OD X 6.00 LG

.25 THK. TENON MOUNT



Ø.75 X 20.00 ANCHOR BOLT

POLE HEIGHT
(FT.)

3.00 X 5.00
HAND HOLE
W/ COVER
AT 90° TO HINGE

14.00

POLE DETAIL

lyte poles
 a DWM company

P.O. Box 340
 Eastpointe, MI 48021
 P: (586) 771-4610 | F: (586) 771-5527
 www.lytepoles.com

| | |
|-------------------|-------------|
| DRAWN: M. HARVALA | 2/13/2015 |
| CHECKED | |
| REVISION: | DATE: |
| APPROVED: | |
| QUOTE: | |
| S.O.# | |
| REF: | SCALE: NONE |

| | |
|---|--------|
| SOME GEOGRAPHICAL AREAS HAVE SPECIAL WIND CONDITIONS THAT CAN CREATE WIND INDUCED VIBRATIONS CAUSING A FATIGUE PROBLEM. NO METHOD HAS YET BEEN FOUND FOR PREDICTING DESTRUCTIVE LIGHTING POLE VIBRATION. THESE CONDITIONS ARE UNIQUE AND CANNOT BE GUARANTEED AGAINST, AND ARE THE RESPONSIBILITY OF A LOCAL SITE ENGINEER. | |
| TITLE: | |
| CATALOG: | |
| DWG NO: 505-5012-15 | SIZE C |
| SHEET 1 OF 1 | |

